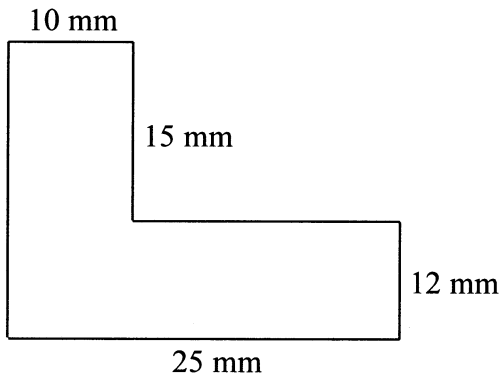


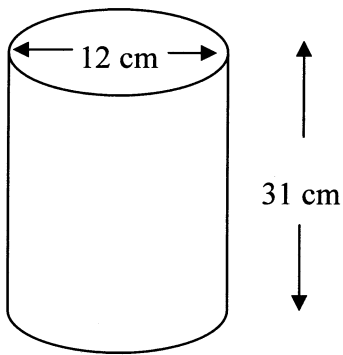
Name: _____

Calculate the following:

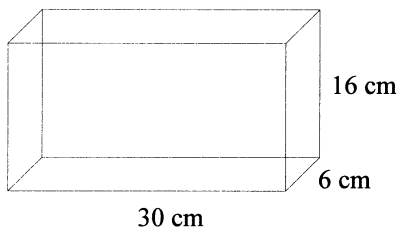
a) the area and perimeter of



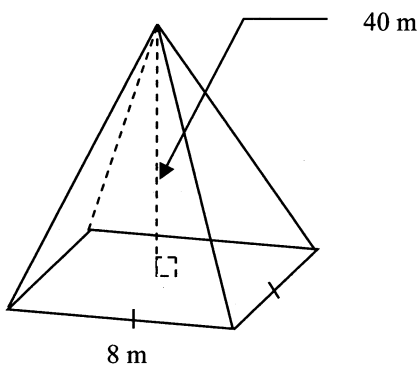
b) the volume of



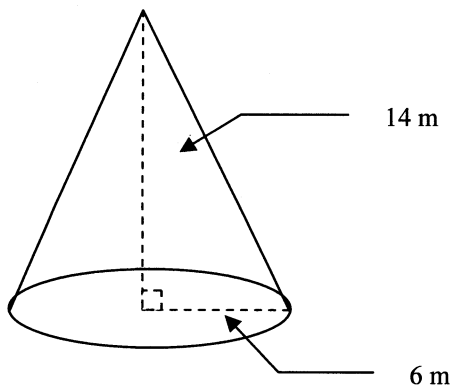
c) the volume of



d) the volume of



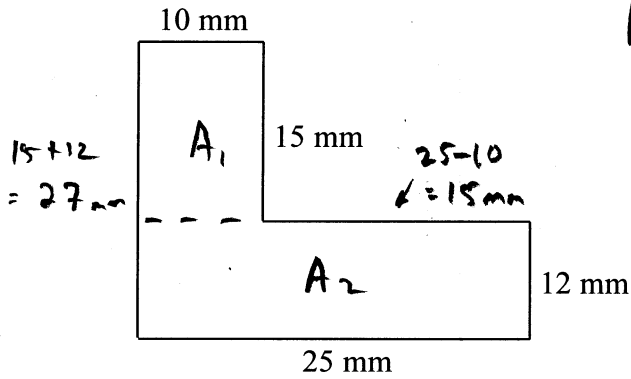
e) the volume of:



Name: _____

Calculate the following:

a) the area and perimeter of



$$P = 10 + 15 + 15 + 12 + 25 + 27$$

$$P = 104 \text{ mm}$$

$$A_1 = lw$$

$$A_1 = (15)(10)$$

$$A_1 = 150 \text{ mm}^2$$

$$A_2 = lw$$

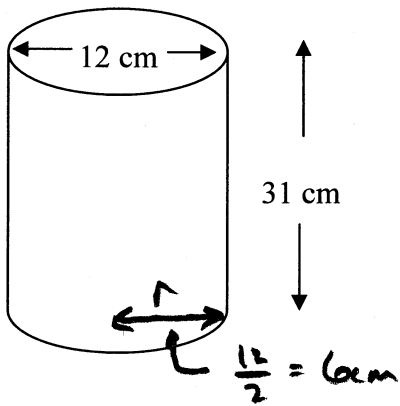
$$A_2 = (25)(12)$$

$$A_2 = 300 \text{ mm}^2$$

$$A = A_1 + A_2$$

$$A = 450 \text{ mm}^2$$

b) the volume of

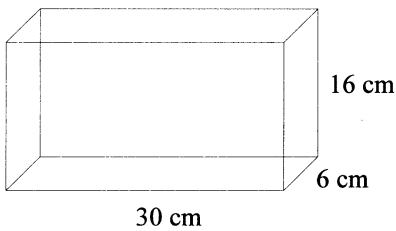


$$V = \pi r^2 H$$

$$V = \pi (6)^2 (31)$$

$$V = 3506.0 \text{ cm}^3$$

c) the volume of

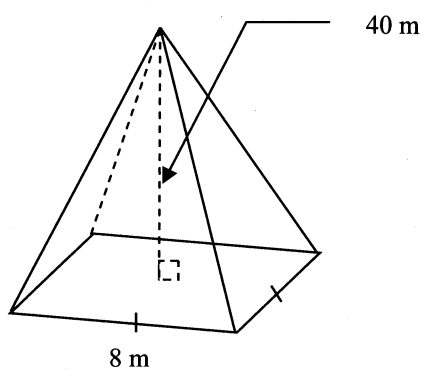


$$V = lwh$$

$$V = (30)(6)(16)$$

$$V = 2880 \text{ cm}^3$$

d) the volume of

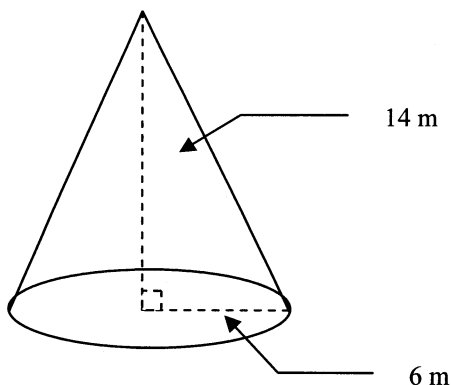


$$V = \frac{lwh}{3}$$

$$V = \frac{(8)(8)(40)}{3}$$

$$V = 853.3 \text{ m}^3$$

e) the volume of:



$$V = \frac{\pi r^2 H}{3}$$

$$V = \frac{\pi (6)^2 (14)}{3}$$

$$V = 527.8 \text{ m}^3$$