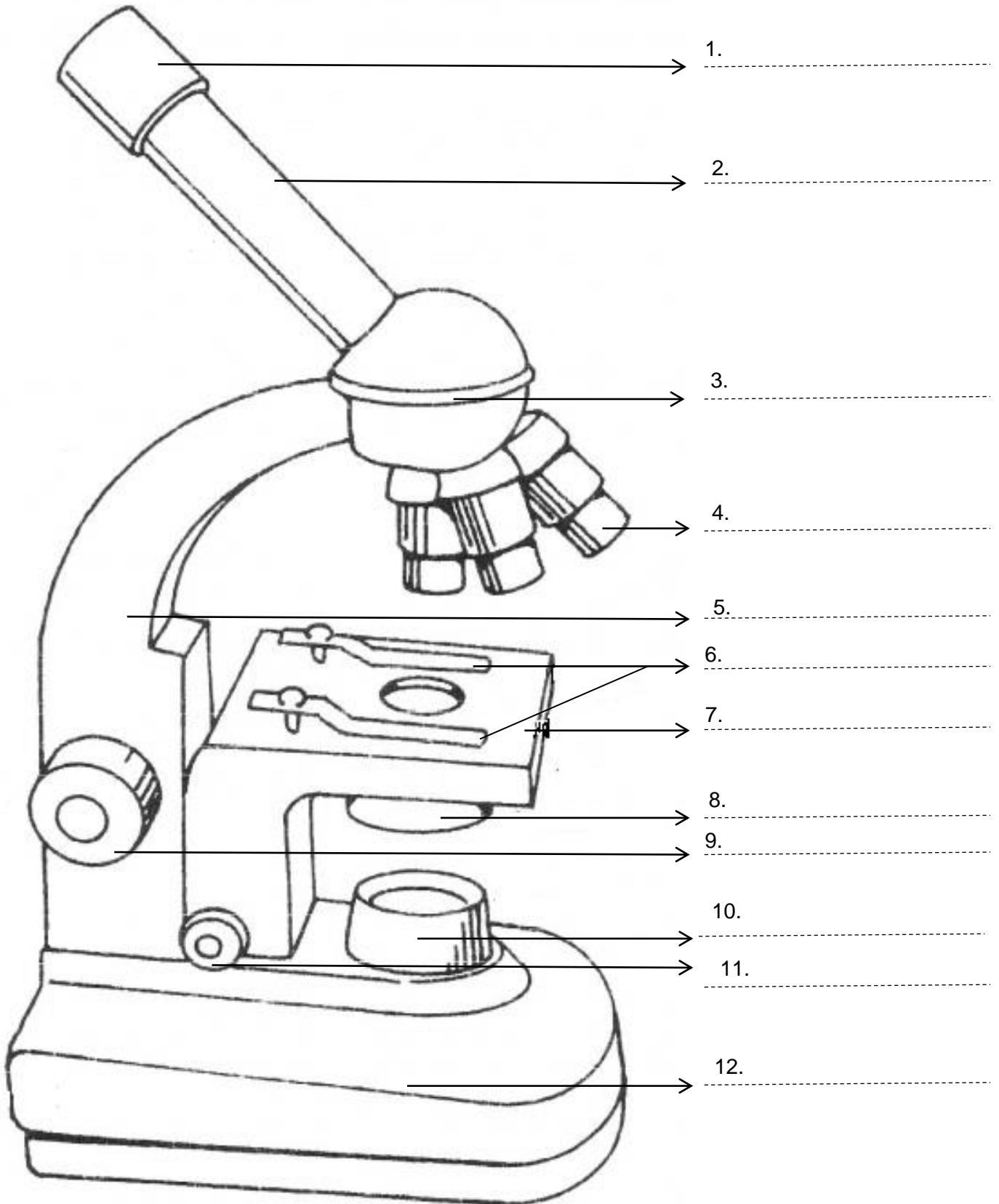


The Compound Microscope



Use page 546 in your text as reference, you may need to use your chromebooks to complete this exercise.

Functions of the parts of Microscope

Name of Part	Description of functions
1.Eyepiece (ocular)	To focus the image onto the back of your eye (also magnifies the image)
2. Body Tube	Supports the eyepiece
3.Revolving Nosepiece	To select different objective lenses
4.Objective Lens	To magnify the object being imaged.
5.Arm	To support the upper part of the microscope (carry the microscope by this part)
6.Stage clips	To hold the slide securely
7.Platform	Provides a level surface for the specimen slide
8.Diaphragm or condensor	To adjust the amount of light entering the objective lens
9.Coarse adjustment knob	To roughly focus the image (always do this before doing the fine focus)
10.Light source	To illuminate the specimen
11.Fine adjustment knob	To finely focus the image
12.Base	To provide a stable support to the entire microscope.