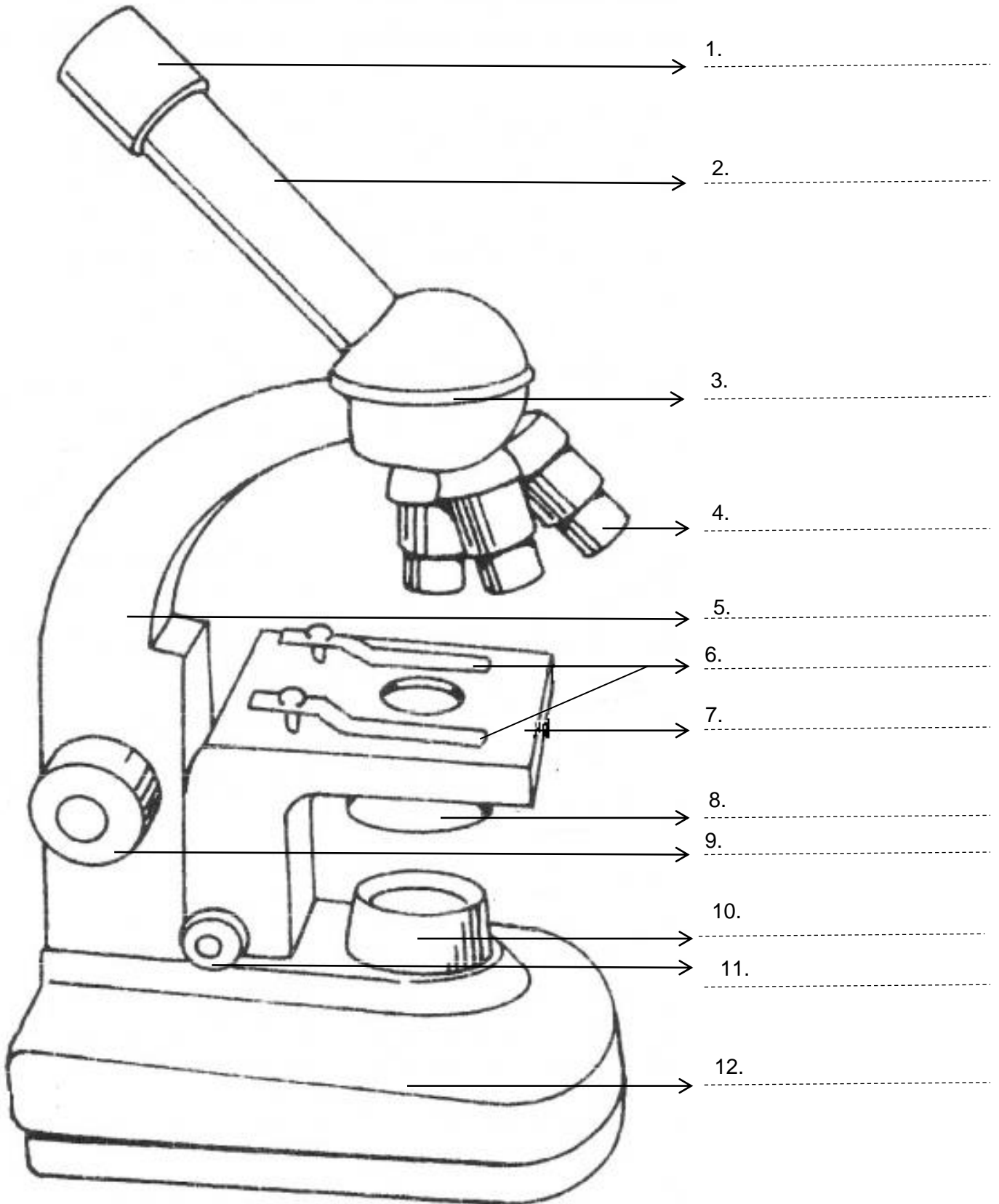


The Compound Microscope



Use page 546 in your text as reference, you may need to use your chromebooks to complete this exercise.

Functions of the parts of Microscope

Name of Part	Description of functions
1.	
2.	
3.	
4.	
5.	
6.	
7.	
8.	
9.	
10.	
11.	
12.	