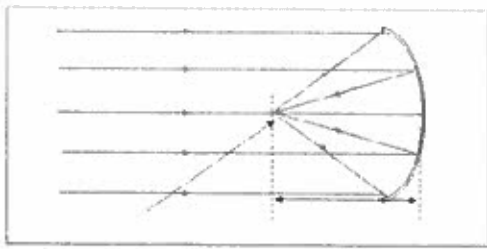
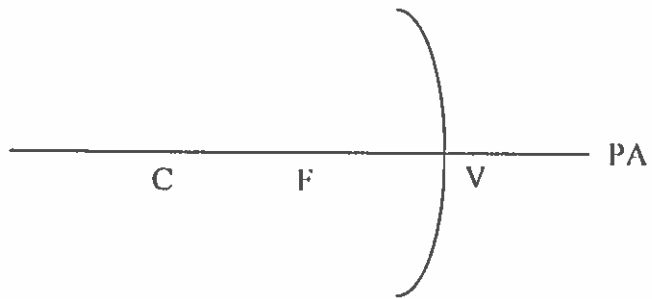
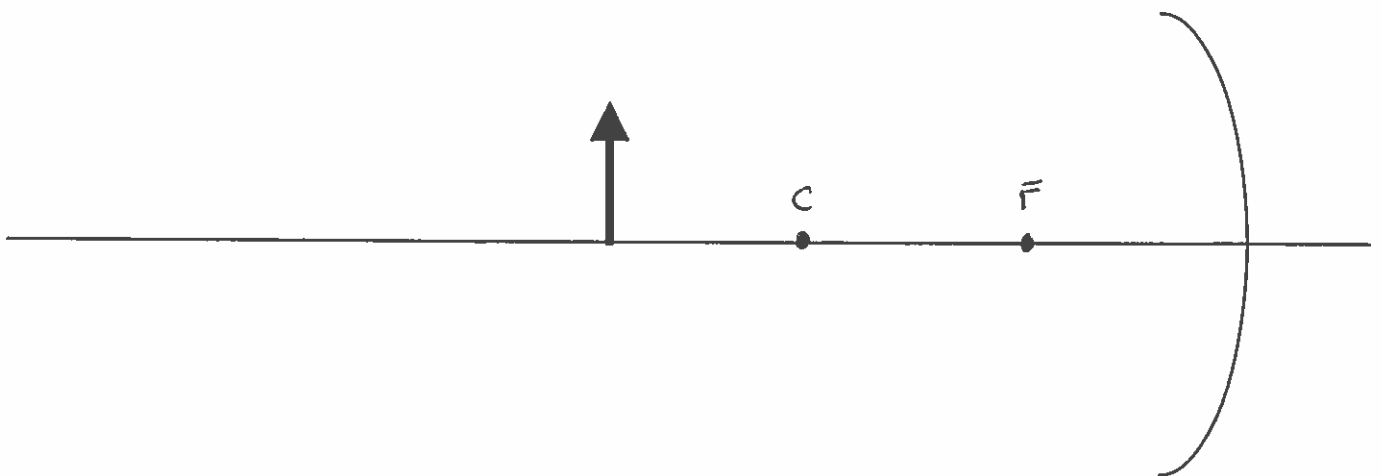


Images in a Concave Mirror

Terminology of Concave Mirrors

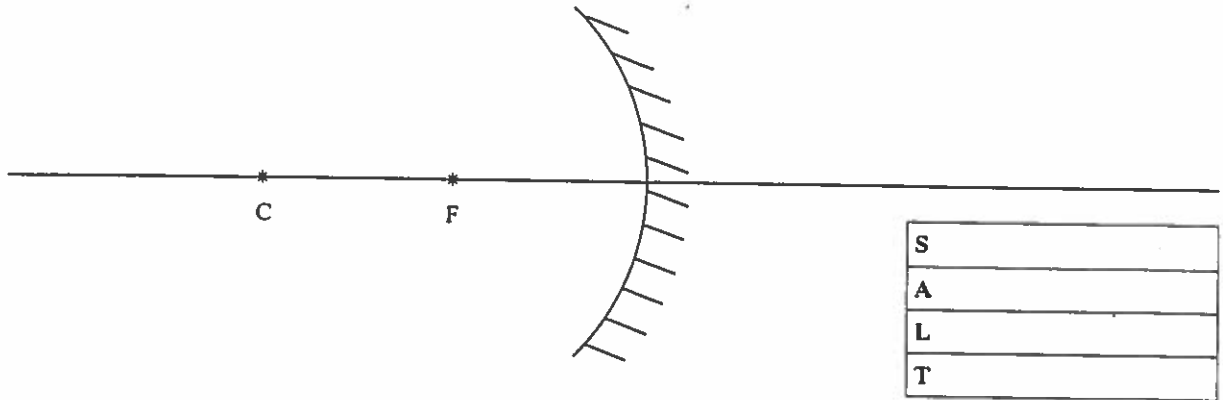


How to Locate Images in a Concave Mirror

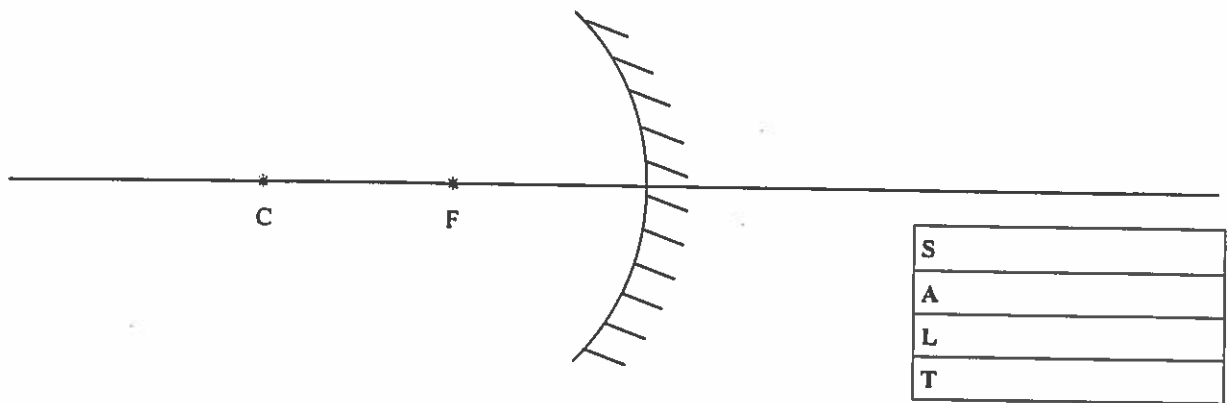


LOCATING IMAGES IN CONCAVE MIRRORS

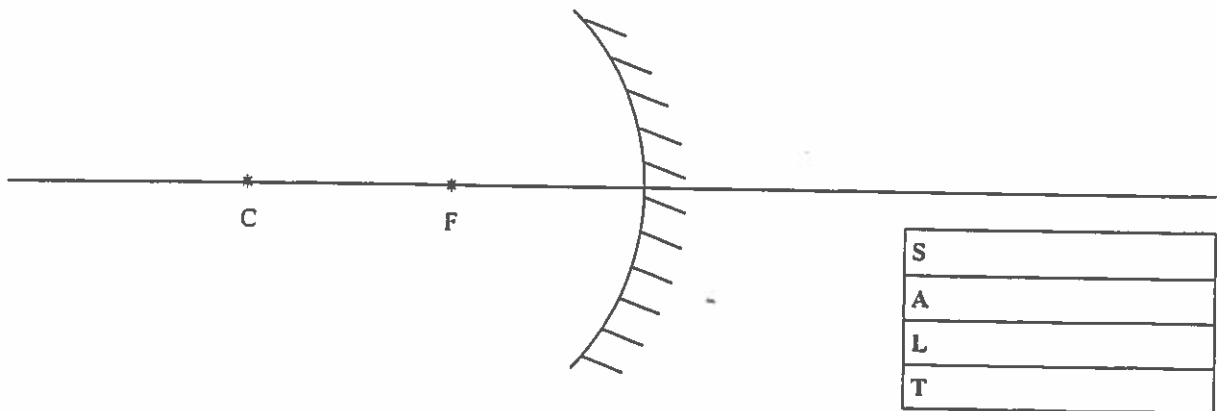
Object is beyond C



Object is between C and F

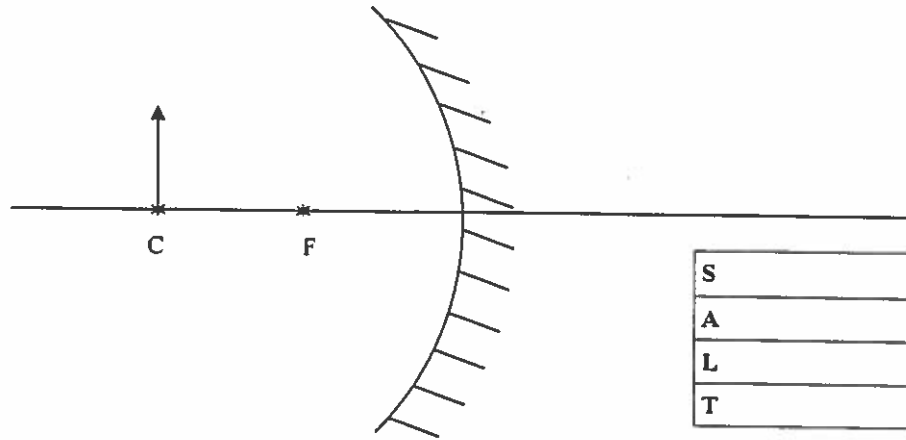


Object is in front F



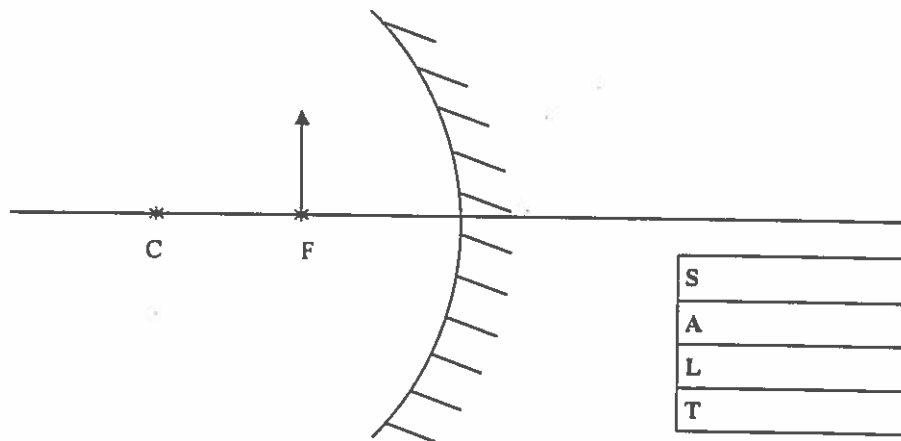
CONCAVE MIRRORS—SPECIAL CASES

Object is at C



S
A
L
T

Object is at F



S
A
L
T

Images Characteristics for a Concave Mirror

Object	Image			
	Size	Attitude	Location	Type
beyond C				
at C				
between C and F				
at F				
inside F				