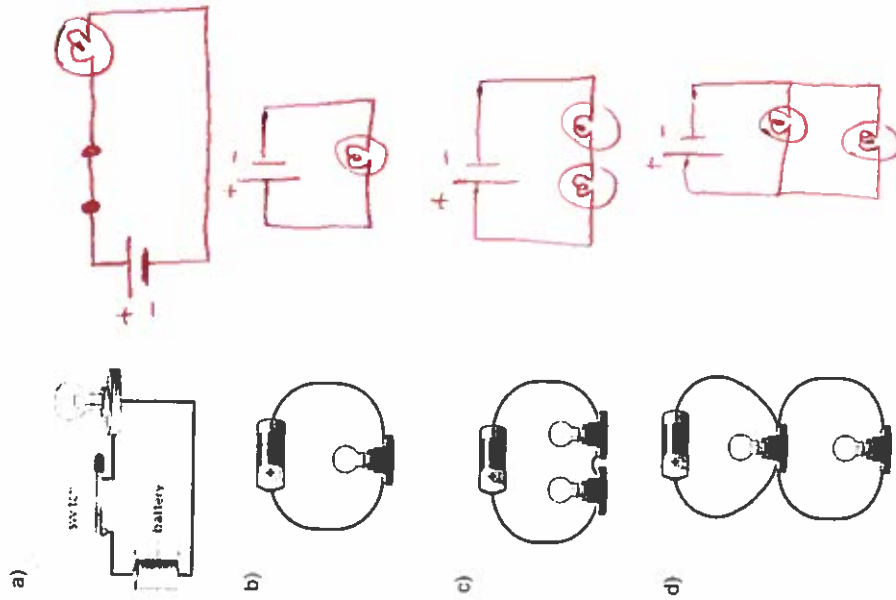
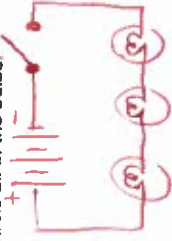


Circuit Diagram Practice:

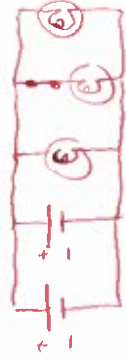
Draw schematic diagrams for the following. Include an arrow on each diagram to show the direction of electron flow (current). Assume the batteries in a)-d) are a single cell.



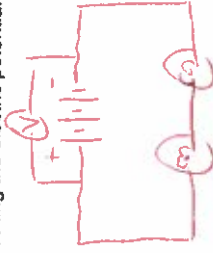
e) A circuit with a 3 cell battery in series, 3 light bulbs in series and an open switch that controls all of the bulbs.



f) A circuit with a 2 cell battery in parallel, 3 light bulbs in parallel, and a closed switch that controls the middle bulb only.



g) A circuit with a 3 cell battery in series, 2 light bulbs in series and a voltmeter checking the electric potential across the battery.



h) A circuit with a 3 cell battery in series, 1 light bulb in series, 2 light bulbs in parallel, and an open switch that controls one of the light bulbs in parallel.

